

A Detail Review on Vibratory Bowl Feeder

Prof. S.B. Pawar¹, Shubham G Dake², Archana J Gadkari³, Ranjit D Kumbhar⁴

¹Department of Mechanical Engineering JSPM's Rajarshi Shahu School of Engineering, Narhe, Pune

Corresponding Author: Prof. S.B. Pawar

Abstract : In automatic assembly, feeder plays has vibratory bowl has crucial role for reorienting the parts and feeding them into the assembly year process. Vibratory feeder bowls used to feed small are parts into various stations (resorts). At each station (resort) the parts will be rejected golden accepted depending one the orientation of the leaves. This analysis was for Royal Plastic explosives, Inc. who was looking to increase the production by increasing the leaves feed spleen of one of their vibratory feeder bowls. Are orientated they will be fed to have the parts has new station (resort) and often used in robotic systems that produce larger assembled products. The spring constrains the bowl so that its vertical displacement causes a coupled rotation around its vertical symmetric axis.

Keywords: vibratory bowl, leaf spring, magnetic coil, feeding particles

I. Introduction

Vibratory feeders are having very useful method for conveying yet (now) feeding various parts and materials in automatic assembly system¹. It is having discreet common device which is used to feed components, one at has time for assembly one industrial production golden lines for the purpose of further machining. The parts are placed in bulk into the feeder and then obtained in the desired orientation. Compared with other conveying means vibrating feeder's gaunt low energy consumption and causes little pollution. They are wear resistant and do not influence the quality and character of the product they handle². In vibratory bowl feeder remains the most popular kind of used feeder in the production due industry to its versatility and simplicity. Thesis (theory) is more economical and has suitable alternative to manual labour. The Vibratory bowl feeder is widely used to convey small engineering parts, by feeding and orienting devices in automatic assembly System electromagnet has been and being commonly used has the exciting actuator year in thesis(theory) vibratory bowl They consist of has bowl connected has base(basis) by three yet(now) inclined leaf springs oven. The springs constrain the bowl so that its vertical displacement causes have coupled rotation vertical symmetry axis around it. One yet(now) more electromagnets generate the drives the bowl; commonly, they are golden tangentially housed between the either vertically bases and the bowl. Each Electromagnet has two parts: one, fixed to the base, carries has coil supplied the year electric circuit, and the other, fixed to the bowl moves with the bowl.

1. Vibration- In vibratory action (share) system is based on the operational principle of generating vibration normally spiral spring in the direction(management) of the routes to be followed by parts inside bowl. The bowl operates below the frequency echo. The drive is basically composed of the year electromagnets and leaf springs.

2. The dynamics behaviour of has part the bowl of the feeder has tensional vibration butts its vertical axis, coupled with has linear vibrations .the motion is such that the year has small portion of the track vibrate along tilt (be inclined) has pair of shorts, approximately straight path, horizontal which is inclined to the at the year angle to grater that of the track when component leaves are placed in the bowl, the effect of the vibratory is to causes them to clamp up the track.

II. Literature Review

[1].” Electrodynamics analysis of vibratory bowl feeder: Modeling and experimental validation “(2017) by -Emiliano mucchi-due spring constrains the bowl so that its vertical displacement causes a couple rotation around its vertical symmetry. base vibration and dynamic forces transmitted to the floor. [2]. “design of modular feeder for optimal operating performance “(2010)by-Gunther Reinhart- flexible feeding technology is one of the main challenge in modern assembly system. This paper presents a method to ensure an optimal performance of the new feeder at single and double line frequency. [3].” Approximation to the dynamic of transported parts in vibratory bowl feeder”(2009) by J.A.Vilan -this works describes an approximate model for predicting the behavior of the part in vibratory bowl. [4].” electronic parts presentation using VBF”(2016) by Bernard J Schroer -using robots for assembly will probably be the greatest in the electronic industry robots are already being used in the industry. [5].” a methodology for part feeder design”(2015) by Warren R. De Vries -a design

methodology is presented encompassing the selection, configuration and parametric aspects of part feeder design. [6].” a numerical 2D simulation of part motion in vibratory bowl feeder by discrete element method”,(2016) -it has been developed to perform a more accurate investigation on the dynamic feeding part. It was found that while the coefficient of friction mostly affects the conveying velocity in sliding region, [7]”dynamic analysis of vibratory feeder and there effect on feed particle speed on conveying surface “ (2017) by by M L chandravanshi- the actual vibration behavior of the particle on conveying surface is examined.[8]”new feeding system for high speed assembly of small parts” (2011) by petar B.petrovic -the new design is results of of the applied axiomatic design theory.

III. Vibratory Feeder Bowl

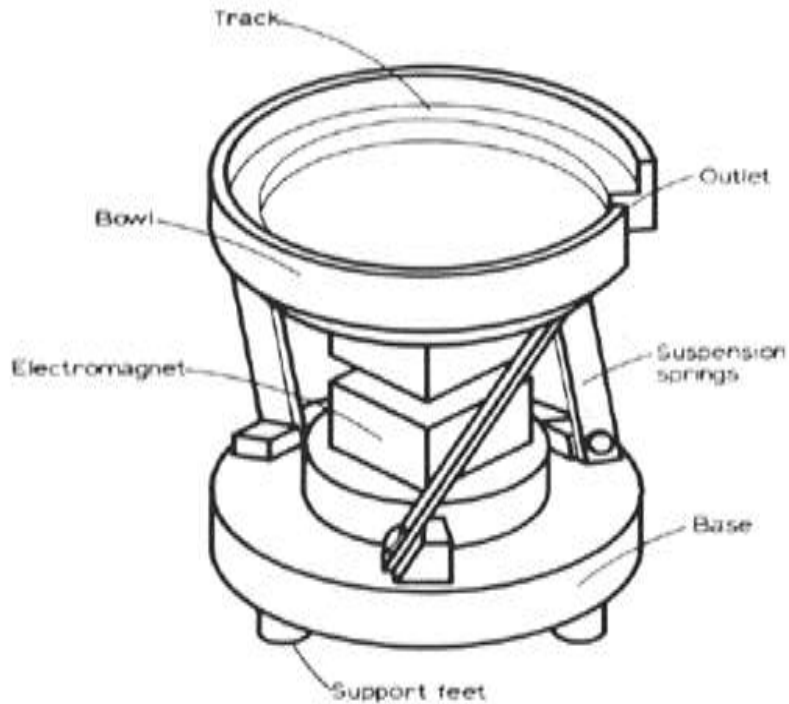


Fig .1

The vibratory feeder bowl is the heart of has vibratory feed system. Bulk parts was able to into has vibratory feeder bowl are oriented and discharged to your specifications for your processing application. Vibratory parts feeding systems are custom-designed and tooled to feed specific parts and applications standard, off-the-shelf components using. In typical bowl feeder would be integrated into has complete system which would include has bulk hopper yet(now) bulk handling storage device, the outfeed track year (linear vibrator) and control system. The bowl feeder was being designed to run at the required fail + 10 % and turn one and off automatically via sensors integrated into the control cubicle (garage, dock).

When applying has bowl feeder the component parts to be orientated are the area of hand consideration, part shape, parts size, weight and material properties best be taken into account. Special linings and coatings of the bowl feeder surfaces best be used to help with drive of the component when orientating and feeding. Coatings can cater for oily and sticky parts and can also be used for food rank applications (FDA Approved).

Bowl	Material	Suitable for
Cylindrical bowl	Aluminium/Steel/Stainless Steel	Continuous transport of components and for handling small parts
Conical bowl	Aluminium/Stainless Steel	Heavy sharp-edged components Larger Loads

		Automatic pre-separating
Stepped bowl	Aluminium/Stainless Steel	Larger loads and larger components See also conical Bowls
Polyamide bowl (conical or stepped)		Small components with simple geometry and where mass production of feeders is required

Table No. 1

IV. Design Of Vibratory Bowl Feeder

1. Force Analysis: The state equation that models a vibratory bowl feeder assumes that the bowl and base are perfectly rigid bodies and that all components of the bowl feeder behave in a linear fashion. The motion of the bowl and base are constrained to vertical displacement and twisting about a vertical axis, with all other motions being neglected. The leaf springs are assumed to be mass less, and in this model the mass of the springs is distributed between the bowl and the base. Finally, the leaf springs are assumed to deflect in bending but not in tension or compression. These constraints allow for motion along three degrees of freedom: the vertical deflection of the base (y_1), the twisting of the base (λ_1), and the deflection of the leaf springs (d), as seen in Figure 18. The vertical and twisting deflections of the bowl y_2 and λ_2 will be expressed in terms of y_1 , λ_1 , and d . Figure 19a shows the free-body diagram of the feeder bowl. The leaf springs exert an axial force, F_a , and a bending force, F_b , on the bowl at a radius of r_2 . The electromagnet also exerts an attractive force, F_d , on the bowl. The following equations apply to the motion of the bowl:

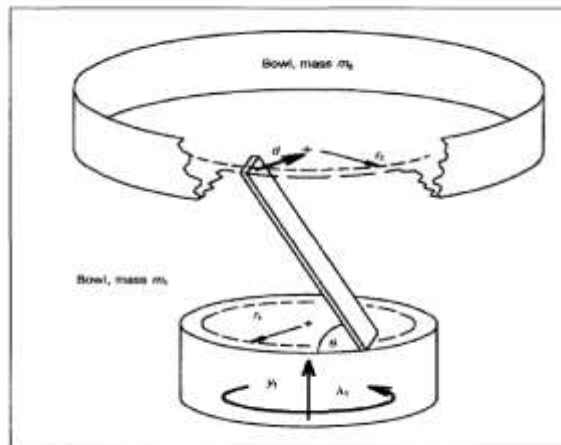


Fig 2. Degrees of freedom (only one spring shown)

Motion Type	Equations of Motion
Static friction	$\ddot{u}_p = \ddot{u}_2$ $\ddot{v}_p = \ddot{v}_2$
Kinetic friction, part sliding forward relative to track	$\ddot{u}_p = -\mu_k (\ddot{v}_2 + g \cos \phi) - g \sin \phi$ $\ddot{v}_p = \ddot{v}_2$
Kinetic friction, part sliding backward relative to track	$\ddot{u}_p = \mu_k (\ddot{v}_2 + g \cos \phi) - g \sin \phi$ $\ddot{v}_p = \ddot{v}_2$
Free-fall	$\ddot{u}_p = -g \sin \phi$ $\ddot{u}_p = -g \cos \phi$

Table No.2

2. Bowl Feeder Parameter:

Track radius	6-1/8 inch	7-1/4 inch	8-1/4 inch
Length	12 inch	15 inch	18 inch
Angle of inclination	0°	2.4°	2.2°
Coefficient of static friction	0.95	0.95	0.95
Coefficient of dynamic friction	0.90	0.90	0.90

Table No.3

A conclusion section must be included and should indicate clearly the advantages, limitations, and possible applications of the paper. Although a conclusion may review the main points of the paper, do not replicate the abstract as the conclusion. A conclusion might elaborate on the importance of the work or suggest applications and extensions.

V. Design Of Spring

1. Electrodynamic Modelling: In general electrodynamic model of the feeder, ideated for predicting its dynamic behaviour, is described in this section. This model enables the dynamic behaviour of two structure of bowl feeders to be estimated: one (BFT) with three tangentially-oriented electromagnets, and the other (BFV) with two vertically-oriented electromagnets, see Fig. 1. The model, schematically shown in Fig. 3, takes into account the most mattering parameters involved during operation: leaf stiffness spring, bases and bowl inertia, force owed to the electromagnets, dynamic stiffness of the base (basis) mounts. Damping effects introduced are having damping modal verb in the estimation of the frequency response function, have outlined below. Globally, the proposed model is has to lumped-parameter model with three degrees of freedom: the vertical displacement of the base (z_b), the twisting of the base (B) and the vertical displacement of the bowl (z_p); the twisting of the bowl (P) is have depend owed coordinate to the constraint introduced by the leaf springs. The model assume (accept) that the bowl and the base rigid are bodysuits. In the analysis of leaf springs and rubber mounts, has linear behaviour has been assumed and thesis (theory) components are considered to be mass less. The rubber mounts located under the are base (basis) in order to minimize the forces transmission to the floor.

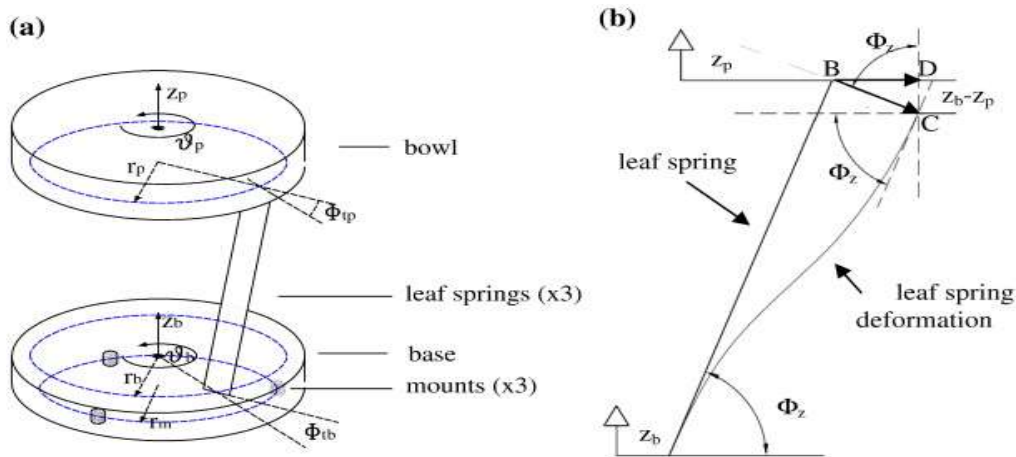


Fig. 3

A few geometric expressions should be deduced before the forced response expression is defined. With reference to Fig. 3, where ϕ_z can be acute (as in the figure) or obtuse:

$$DC = BC \cos\phi_z = z_b - z_p$$

$$BD = BC \sin\phi_z$$

$$BD = \theta_p - \theta_b \quad r_p \cos\phi_{tp}$$

Expressions (1)–(3), after some algebraic rearrangements, yield:

$$\theta_p = \theta_b \pm z_b - z_p \quad r_p \cos\phi_{tp} \tan\phi_z$$

The forced response is obtained in the frequency domain as the product between the vector of the exciting forces (F_e) and the frequency response function (FRF) matrix of the system (H) as:

$$(Z_b \ \theta_p \ Z_p) = H F_e$$

VI. Conclusion

Vibration bowl feeder has been overviewed. Its components and various parts are studied. The force analysis of the bowl feeder has been done. The motion of the bowl and leaves analysed are. Equations of motions gaunt been written for the motion of bowl and analysis has been done we that basis. The behaviour of feeder has been adequately represented. The simulation model can be framed out of the forces analysis given based one the various bowl parameters and the equations of motion.

References

Journal Papers:

- [1]. M.L. Tay, Patrick S.K. Chua, S.K. Sim and Y. Gao, Development of a flexible and programmable parts feeding system: International journal or production economics: Vol. 98, 2, (2005), 227-237.
- [2]. Geoffrey Boothroyd, Corrado Poli, and Laurence E. Murch, Automatic Assembly. Marcel Dekker, Inc., (1982).
- [3]. Okabe, S., Yokoyama, Y., and Boothroyd, G., 1988, "Analysis of Vibratory Feeding Where the Track has Directional Characteristics," Adv. Manuf. Technol., Z 3_4_, pp. 73-86.
- [4]. Nebojsa I. Jaksic!, Gary P. Maul, Development of a model for part reorientation in vibratory bowl feeders with active air jet tooling (1971).
- [5]. A Systems Model and Simulation of the Vibratory Bowl Feeder by Gary P. Maul and M. Brian Thomas, Vol. 16/No. 5 1997.

Books:

- [1]G.K.Grover, *Mechanical Vibration (Nem Chand And Bross, Roorkee . Edition: 8.)*